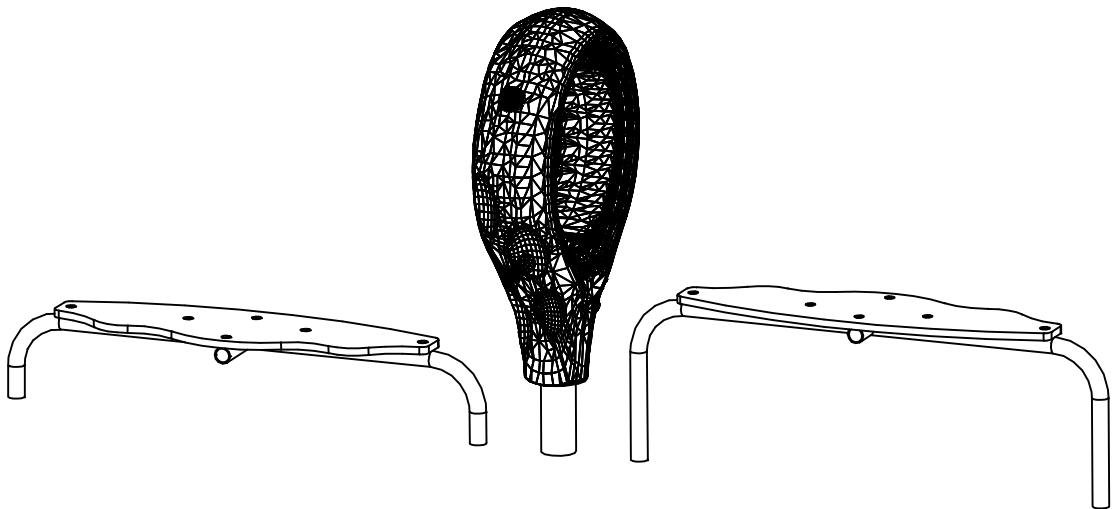
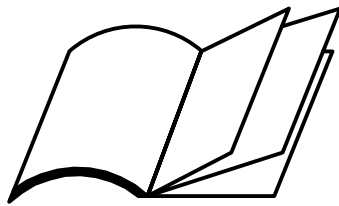


# HAGS

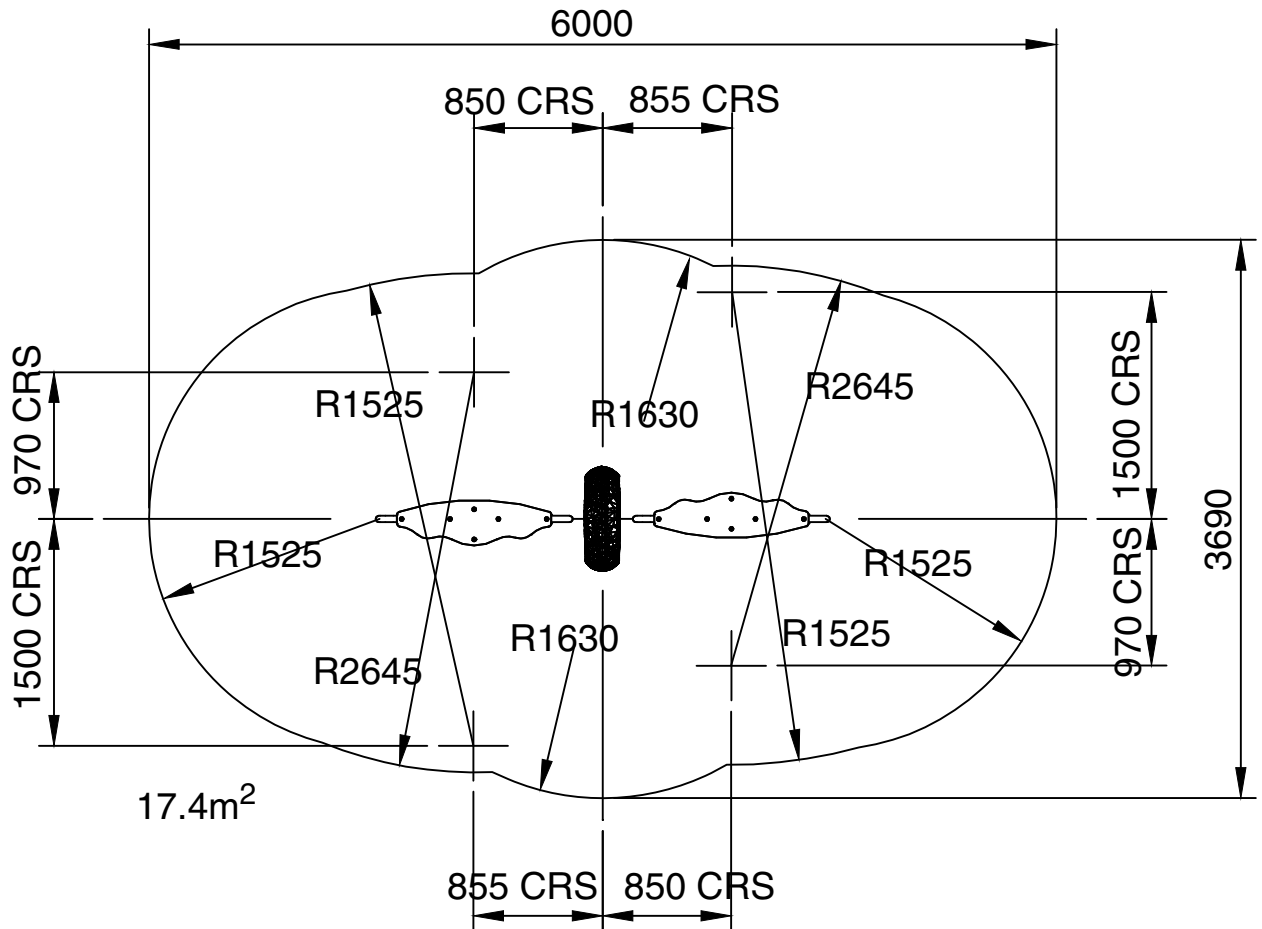
## ZINGO BUBBLE TRAIL

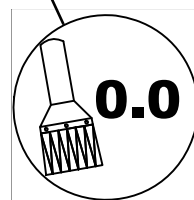
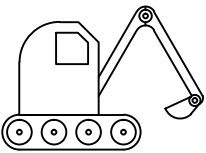
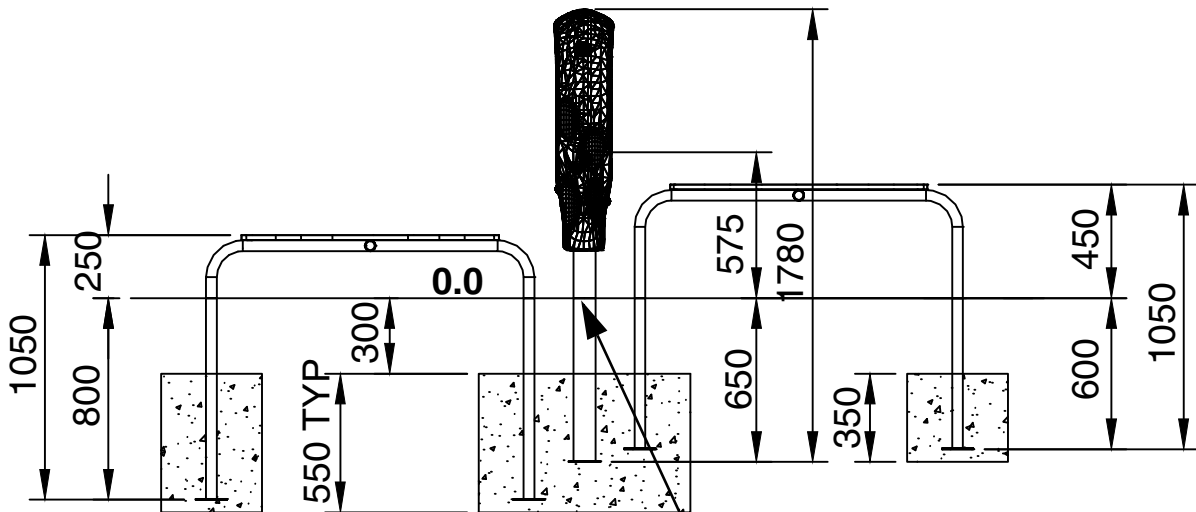
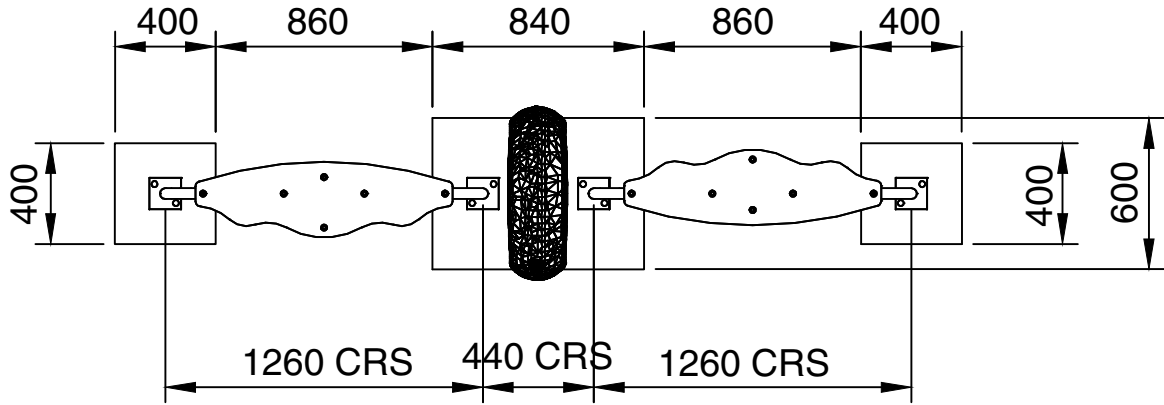
### X-BBT



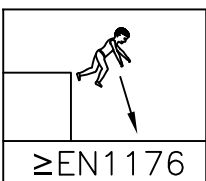


<b>X-BBT</b>	3.00 X 0.69 X 1.13	39.00	0.42	7.00 X 5.00	0.58m	T = 1.5h

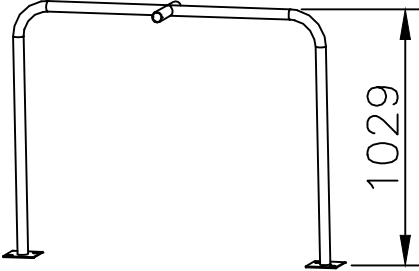
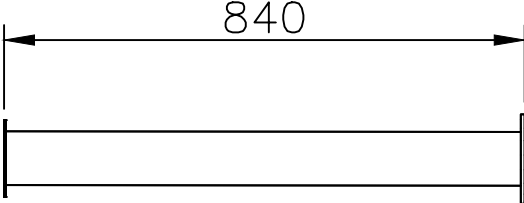
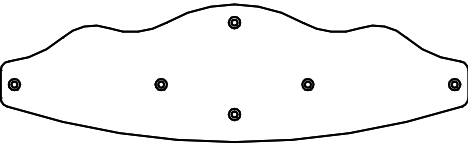
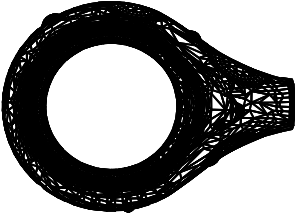

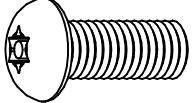
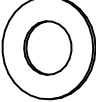
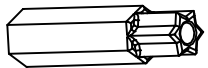




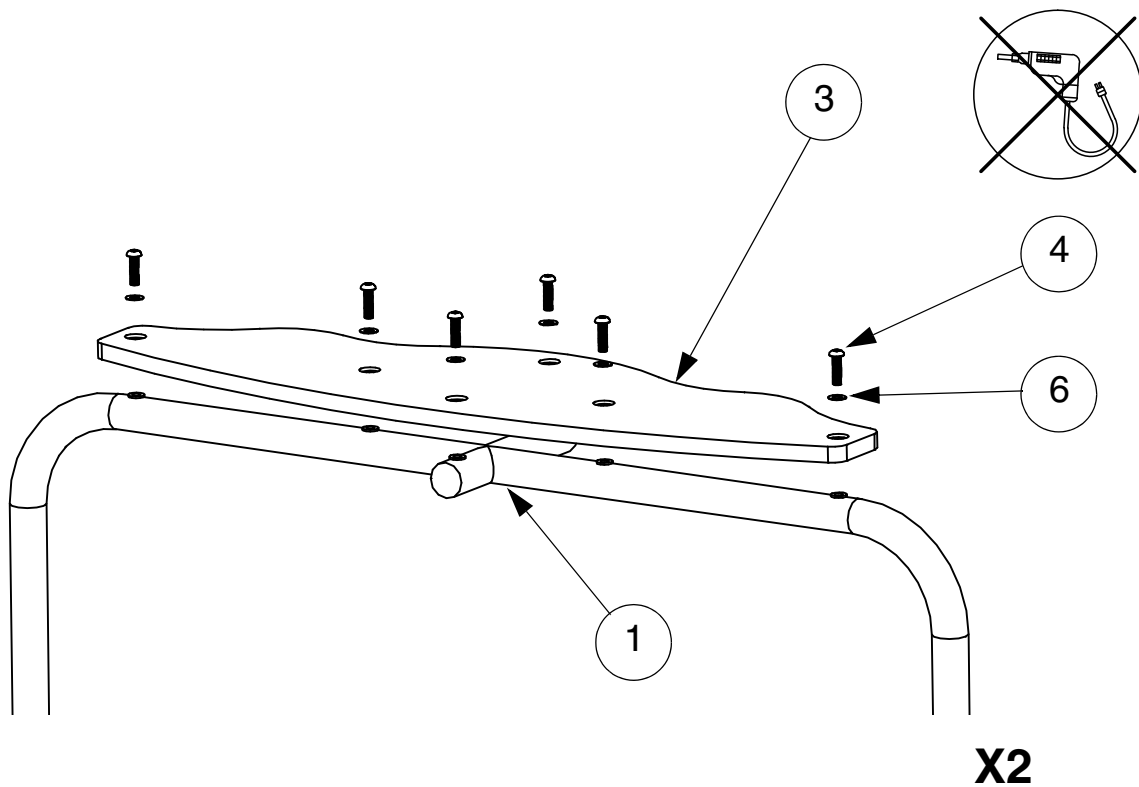
 **101 / 144**



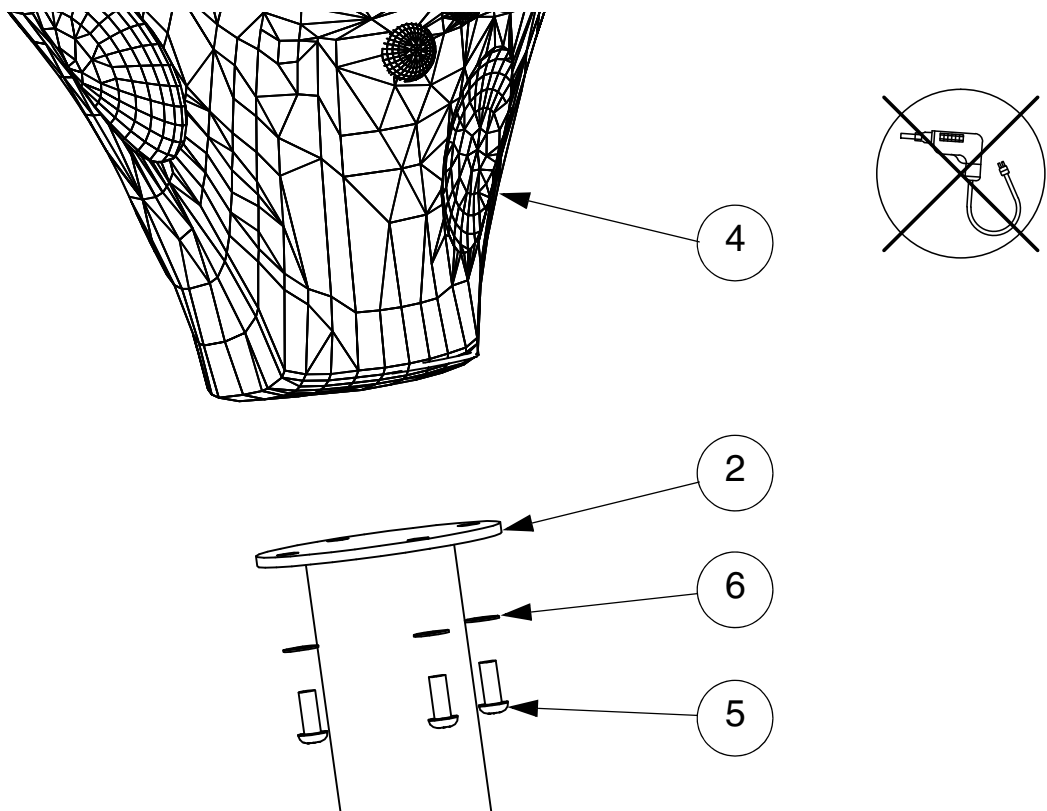
0.58

ITEM	REF		QTY.	kg.
1	55660011		2	7.50
2	55880011		1	7.50
3	55090030		2	4.00
4	55070010		1	8.00
4	10121035	 M10 X 35	12	0.032
5	10121025	 M10 X 25	4	0.024
6	10291000	 M10 11X21X1	16	0.002
7	10121000	 T45 M10	1	-

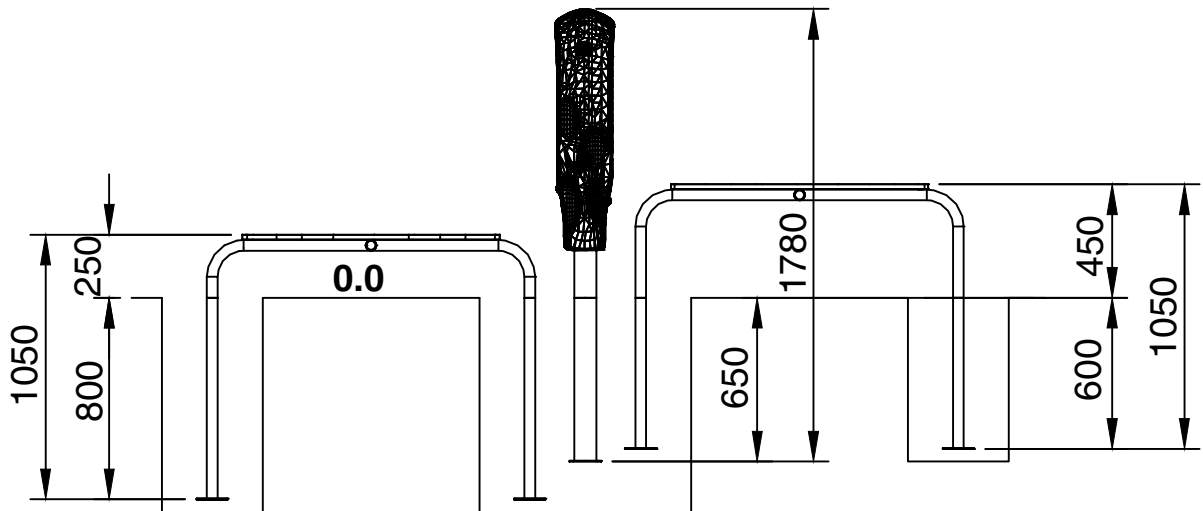
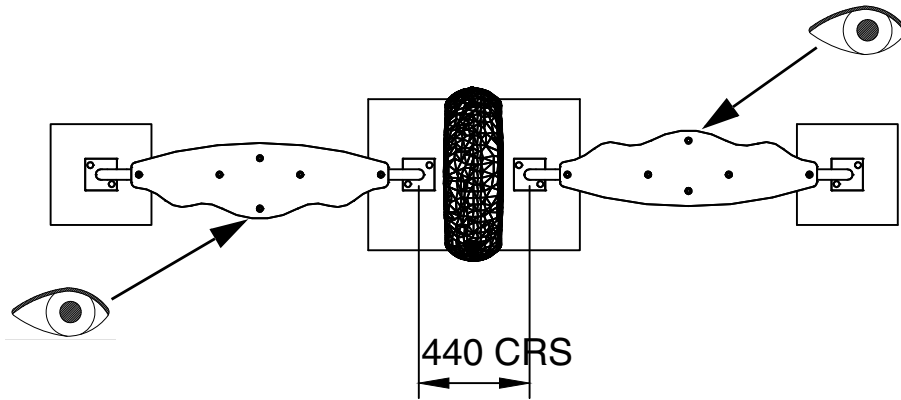
# STEP 1

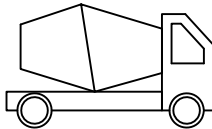




# STEP 2

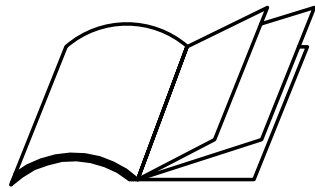


### STEP 3



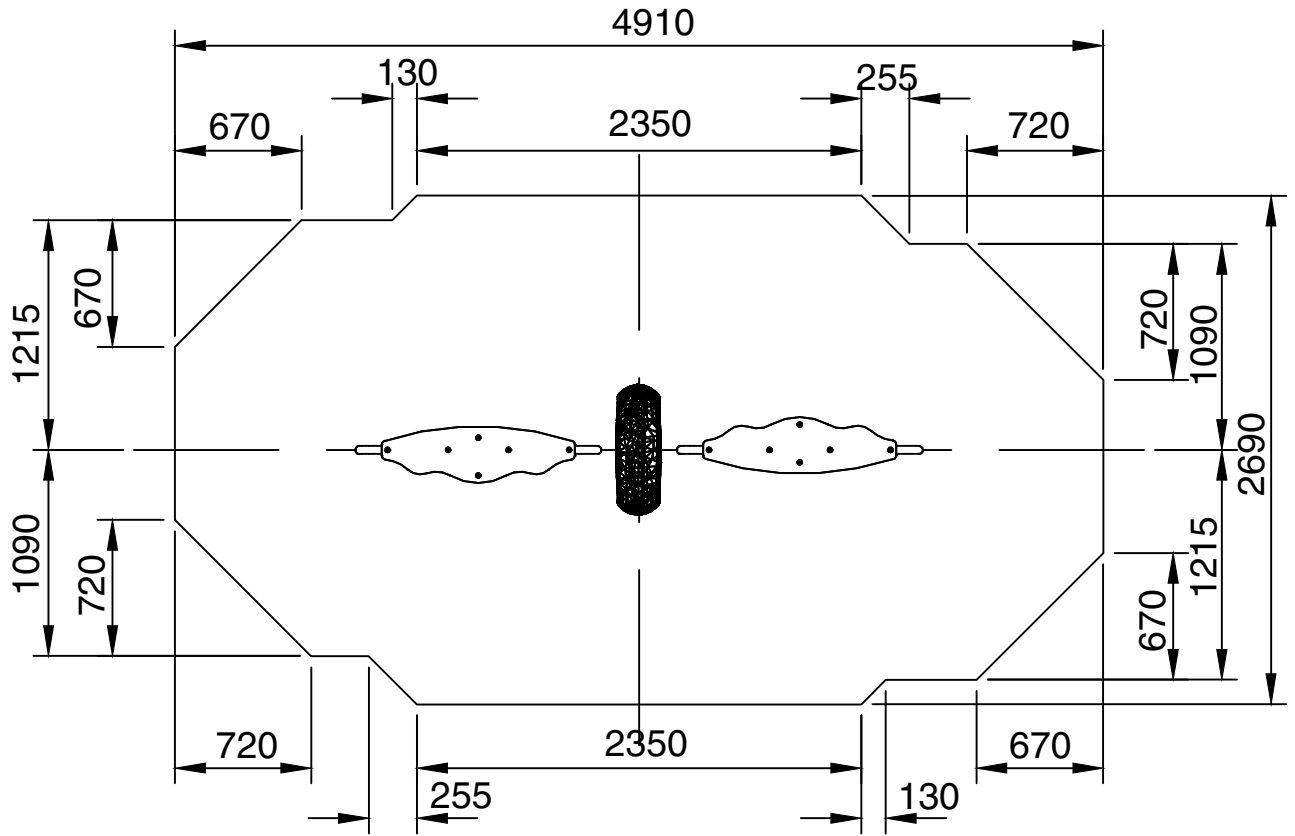
	
S2 (50mm)	
≥C20-25	
	7 x 24h
	101



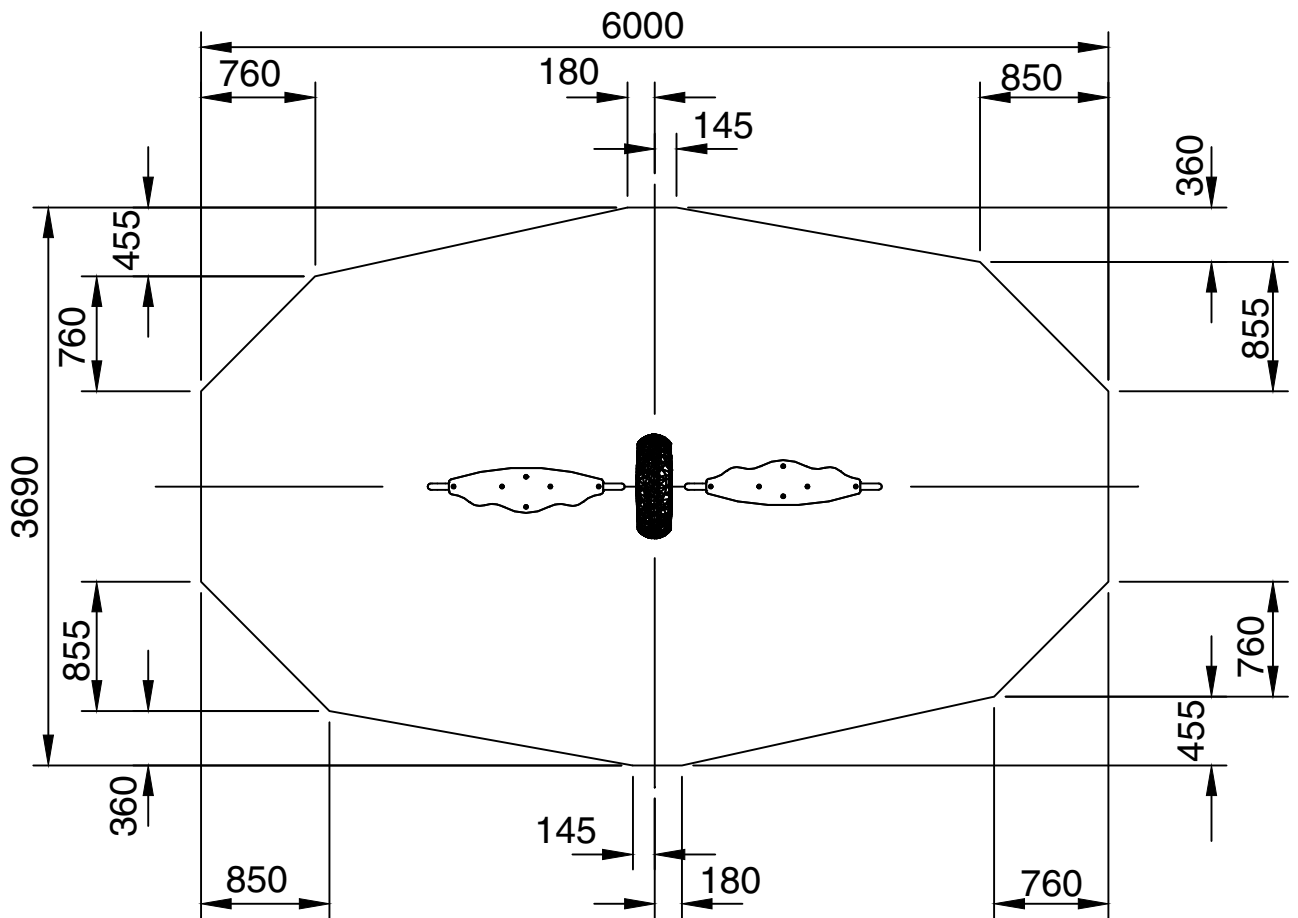




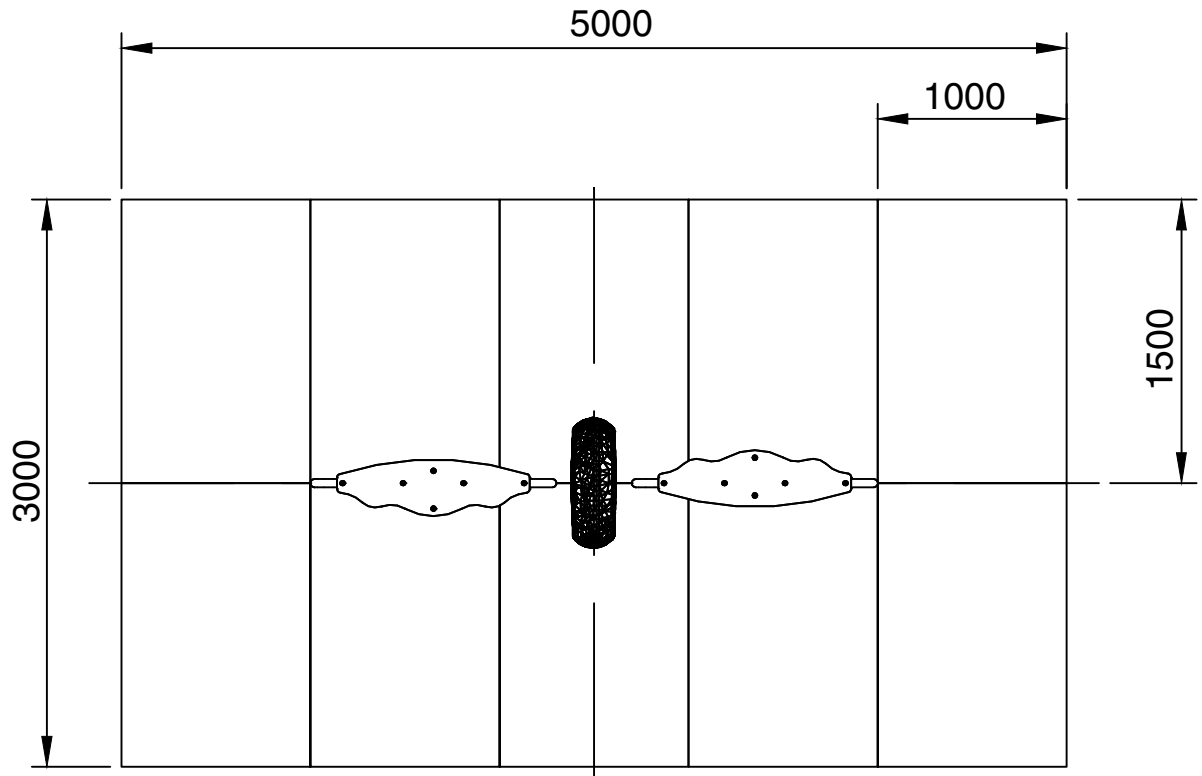
Appendix A:



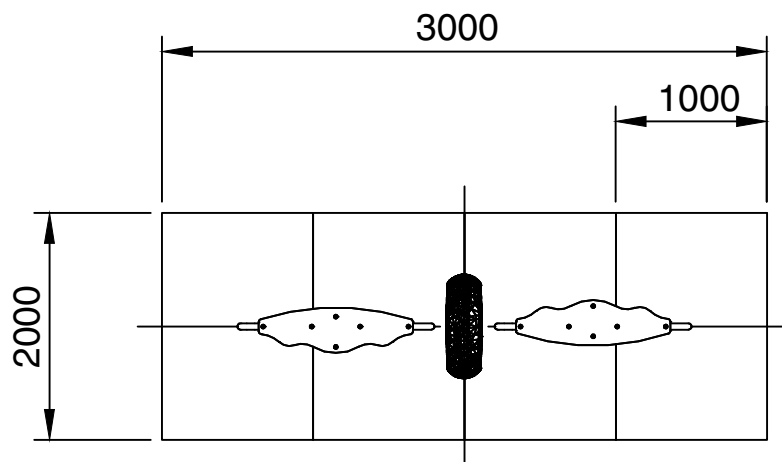
TYPE 3 SYNTHETIC  144



TYPE 1/2 LOOSEFILL  144



TYPE 5 GRASSMATT FR  144



TYPE 5 GRASSMATT FR WEAR AREA  144